

# LED Tri-proof fixture

## INSTALLATION INSTRUCTIONS

PLEASE READ CAREFULLY AND SAVE THESE INSTRUCTIONS, AS YOU MAY NEED THEM AT A LATER DATE.

Remove the fixture and the mounting package from the box and make sure that no parts are missing by referencing the illustrations on the installation instructions.

GENERAL: All electrical connections must be in accordance with local and National Electrical Code (N.E.C.) standards. Installation must be performed by a qualified installer.

### ⚠ WARNINGS AND CAUTIONS

- Make sure that the supply voltage corresponds to the rated product voltage(200-240VAC).
- If the product is damaged, do not use it.
- All wiring connections should be capped with IEC approved wire connectors.
- The light source contained in this luminaire shall only be replaced by the manufacturer or his service agent or a similar qualified person.
- Maximum number/power of fittings for loop in/out power option: 25 units/1750W.

- If the external flexible cable or cord of this luminaire is damaged, it shall be exclusively replaced by the manufacturer or his service agent or a similar qualified person in order to avoid a hazard.
- For ceiling or suspended mount there are two stainless steel surface brackets included.
- This fixture is intended to be connected to a properly installed and grounded UL listed junction box with suitable strain relief means for power cord. The junction box is not included, should be purchased separately.

### 🔧 INSTALLATION INSTRUCTIONS

1. Identify installation location & check for any passing wiring/piping prior drilling and installing cables. Fix the mounting brackets / suspension kits on the ceiling at correct spacing as per dimensions.(Pic.A)

2. Position and fix base using the pre-fixed mounting brackets / suspension kits.

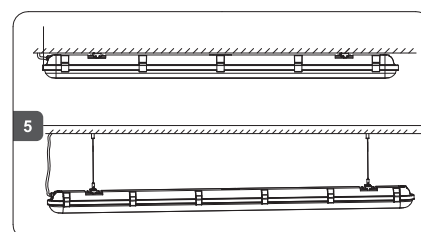
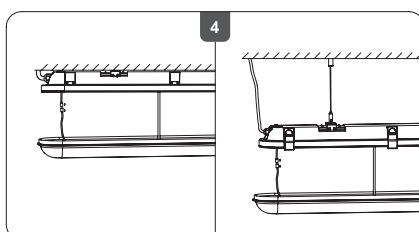
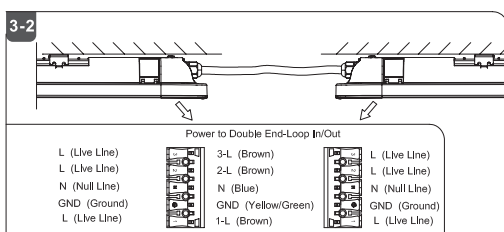
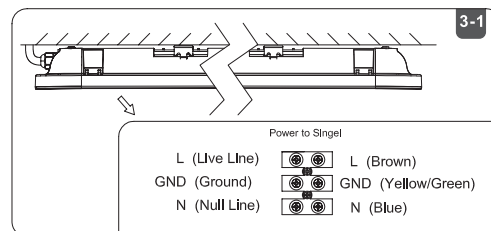
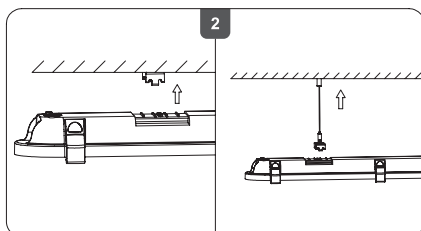
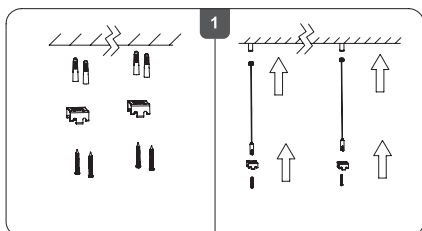
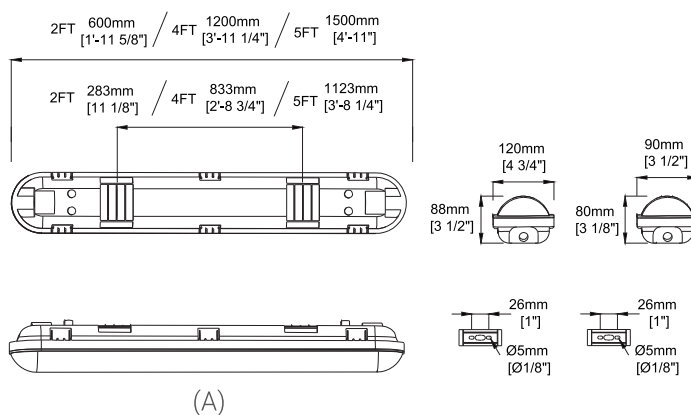
3-1. Individually power option.

3-2. Multiple(Loop in/out) power option.

4. Connect male/female DC connectors and fix the safety strap to the light body.

5. Check all connections are sound and properly insulated. Re-fit the light body to the base and secure all the clips.

### DIMENSION : ( mm/inch )

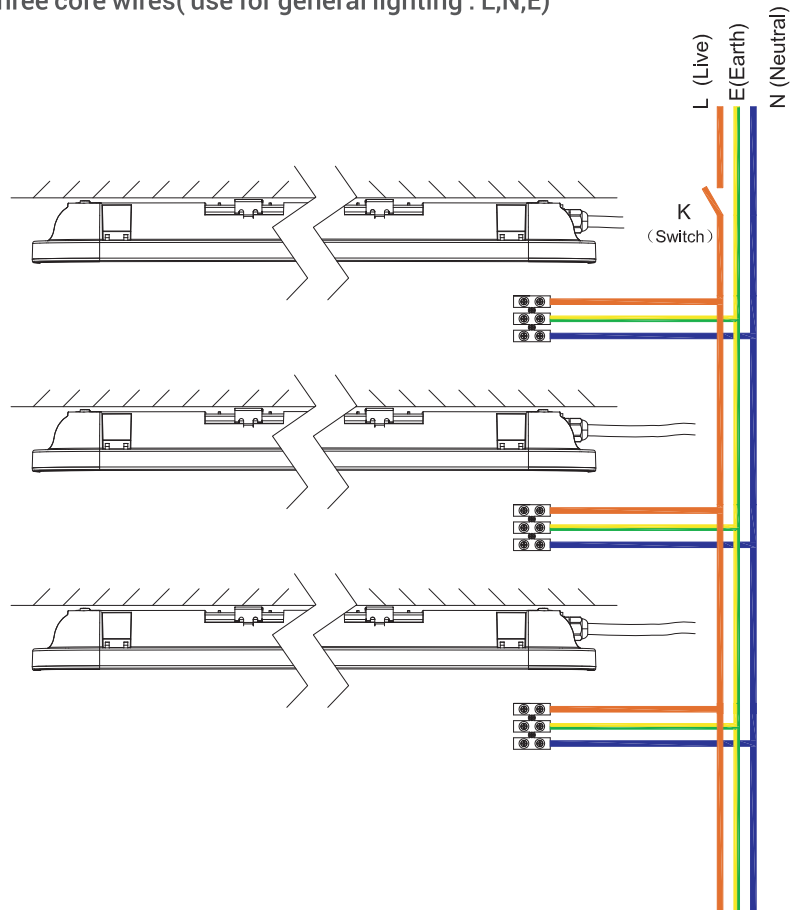


# LED Tri-proof fixture

## WIRES MAP

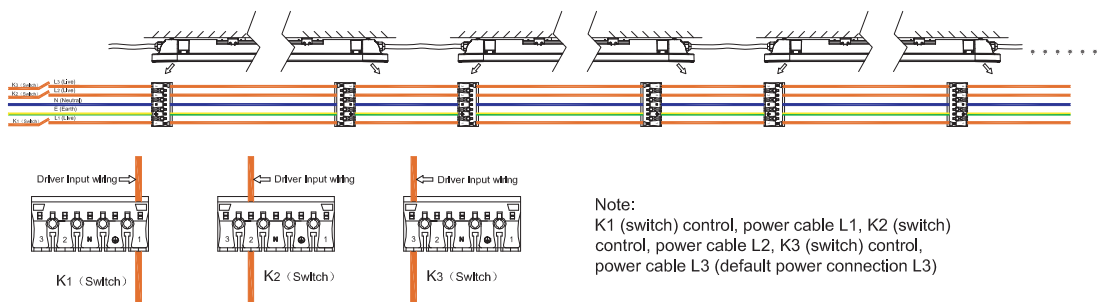
### A. Vertical connection

(One Switch Control), Can choose three core wires( use for general lighting : L,N,E)



### B. Lateral connection

(switch 3 is on, fixture L3 connect power L is on, others are off)



### C.1-10V Dimming

